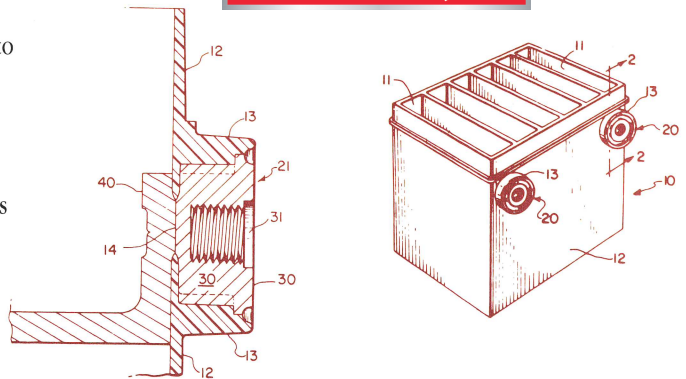


TIEGEL ST-1A SIDE TERMINAL WELDER

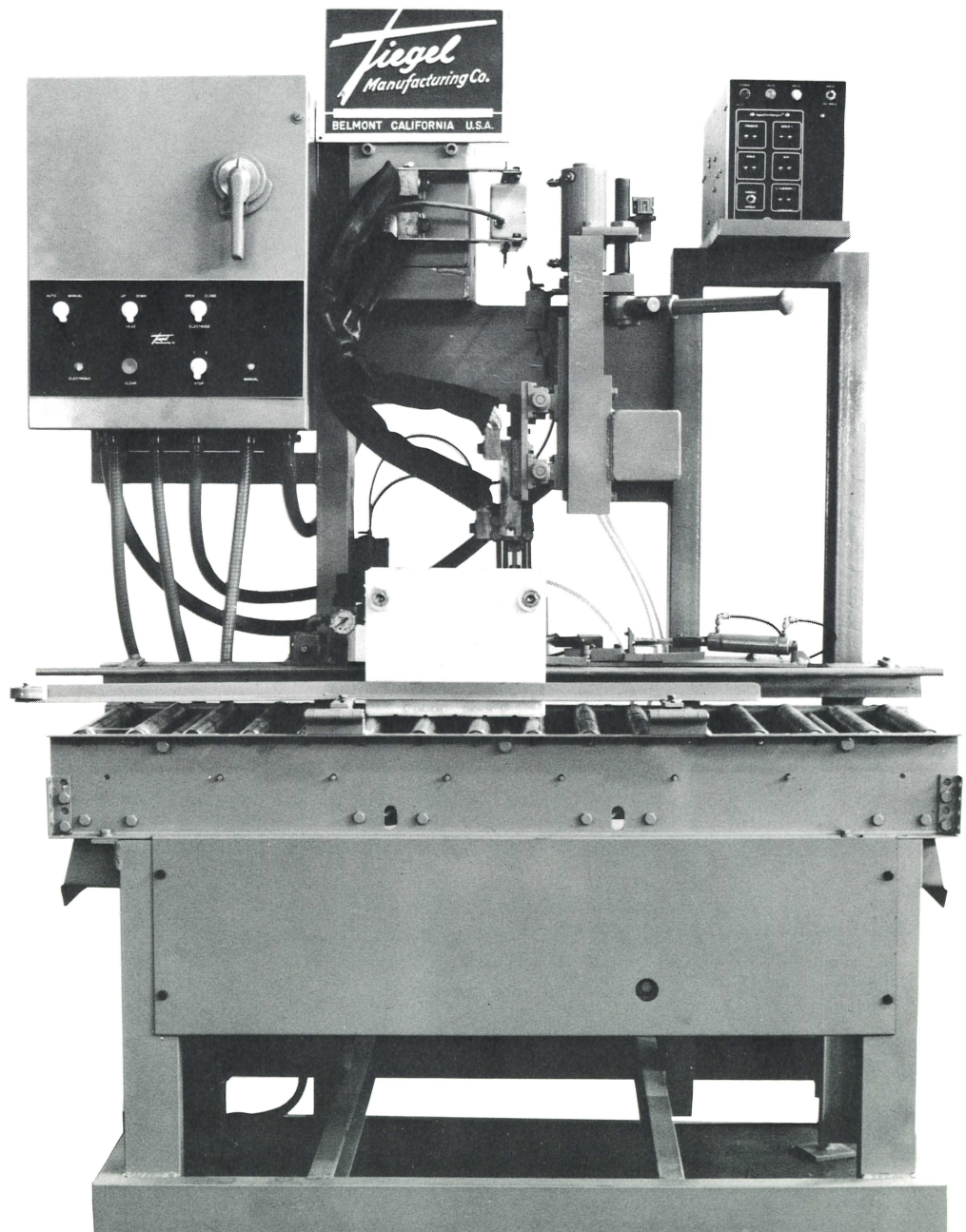
THE TIEGEL ST-1A SIDE TERMINAL WELDER utilizes the same proven principles of extrusion-fusion welding to weld side terminal batteries. This machine automatically positions and welds the elements to the side terminal posts inside the container, or can weld through the side wall against the side terminal post. In the first case, a spacer insert is dropped into the case prior to the insertion of the groups to provide an extruding surface. The machine changes over from one battery type to another in less than 5 minutes, and processes batteries at a rate of 6 batteries per minute. The machine comes complete, ready to install into your conveyor line. The machine is equipped with a bypass switch, which allows normal top terminal type batteries to pass through uninhibited. Other models include a manual version of the ST-1A.



Applicable Patents:

4,146,771 4,424,854
4,150,202 4,478,919
4,100,674

This proven connection uses the famous TIEGEL EXTRUSION-FUSION WELD which is now practical because of the availability of the containers.



TIEGEL MODEL ST-1A SIDE TERMINAL WELDER

ENGLISH:

Electrical: 1.75 KW
Maximum Electrical Surge: 35 KVA
Water: 1 gallon/minute
Air: 1.4 cu.ft./minute at 80-100 PSI
Floor space: 12.2 sq.ft.
Weight: 950 lbs.

METRIC:

Electrical: 1.75 KW
Maximum Electrical Surge: 35 KVA
Water: 4 liters/minute
Air: .045 cu.m./minute at 6.9 ATM
Floor space: 1.13 sq.m.
Weight: 431 kilograms