



MACacid Surfacers

For the Ultimate in Plate Finish and Performance

- ◆ **Fast**
- ◆ **Easy Operation**
- ◆ **Improved Plate Quality**
- ◆ **Versatile**
- ◆ **Easy Maintenance**

The **MACacid Surfacers** is a compact, self-contained machine, which assists you in producing higher quality battery plates. This acid surfacing system is designed to be positioned in line following the paster and located before the plate-drying oven. The MACacid Surfacers can be used with any of the MAC 170 or optaMAC pasters, and also with any of the MAC plate drying ovens (with a properly installed acid resistant kit). Made with acid resistant materials.

Easy Operation:

It's automatic - requires no operators.

Improved Plate Quality:

The MACacid Surfacers is designed to apply a coating of acid to both sides of the plate. Not only will this ensure a harder plate finish, but it also assists the paste in bonding to the grid.

Fast:

The MACacid Surfacers operates at speeds up to 305 panels per minute when used with the optaMAC Platemaking Systems.

Versatile:

The MACacid Surfacers is designed for automotive, motorcycle, lawn mover, marine and golf cart battery makers. It can handle thick grids or thinner (1 mm or less), softer low antimony and calcium grids.

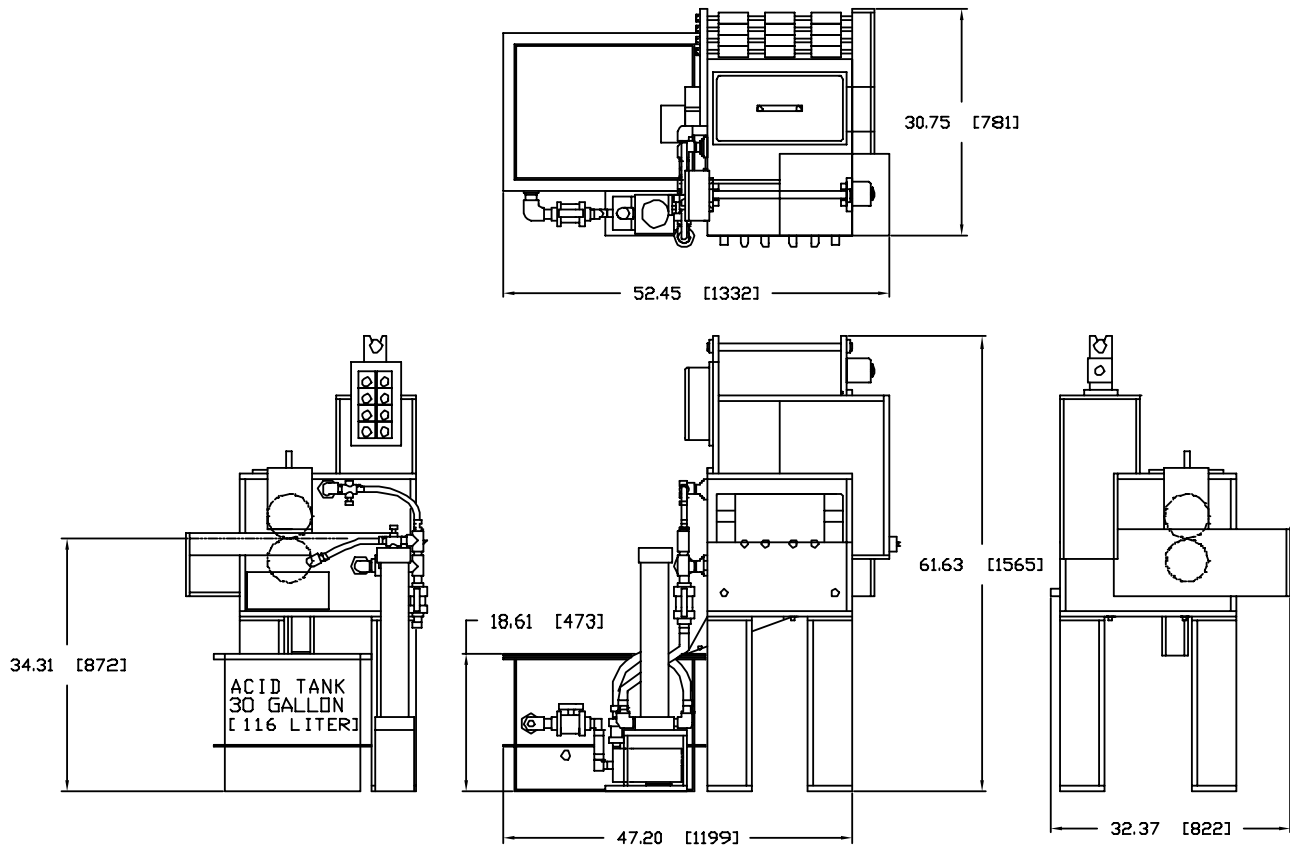
Easy Maintenance:

All components that require cleaning or maintenance are readily accessible for time savings and efficiency.



MACacid Surfacers

TECHNICAL SPECIFICATIONS



Required Data:

- Specify electrical requirements
- Specify paster type and or model number with which the MACacid Surfacers be used with

Speed: Variable

Approximate Unit Specifications:

Length: 1332 mm (52.45 inches)
 Width: 1199 mm (47.2 inches)
 Height: 1565 mm (61.63 inches)

Operational Requirements:

Personnel: Pasting Equipment Personnel

Standard Electrical: 220/480 volt, 3-phase, 50-60Hz

Pneumatics: 5 L/sec@276KPa (10SCFM@40 PSIG)

Ventilation: Customer supplied as required by local specs.

Water: Standard wash down

Compressed Air: None

Foundation: Standard 102 mm (4-inch) thick reinforced concrete floor or pad.



Helping to make the best batteries...yours.

MAC Engineering and Equipment Company, Inc.

2775 Meadowbrook Road, Benton Harbor, Michigan 49022, U.S.A.

Telephone: (269) 925-3295 or 1-800-756-8608 Fax: (269) 925-3305

e-mail: maceng@mac-eng.com

For a preview of our equipment visit: www.mac-eng.com